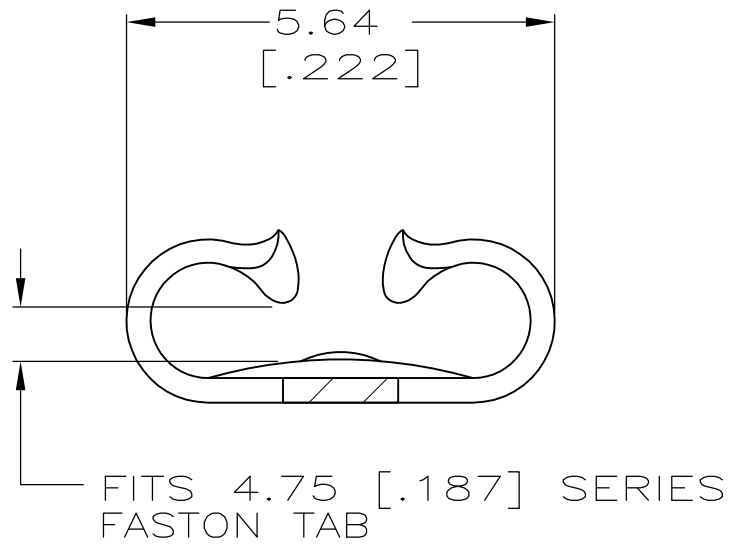
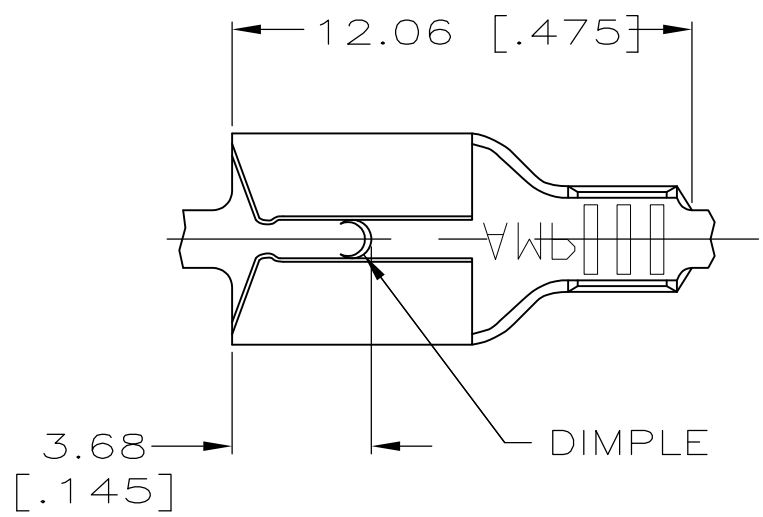


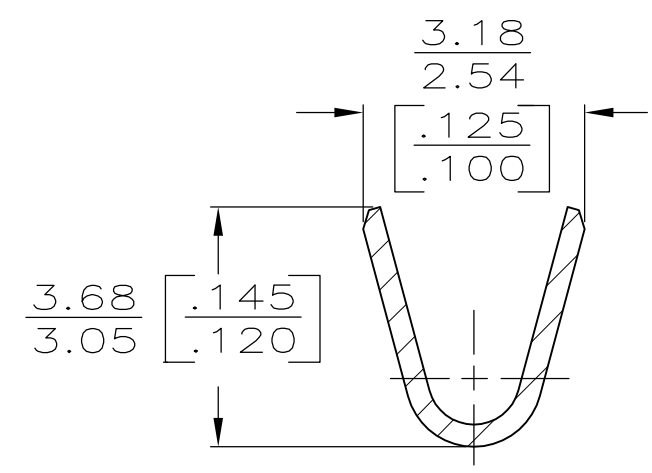
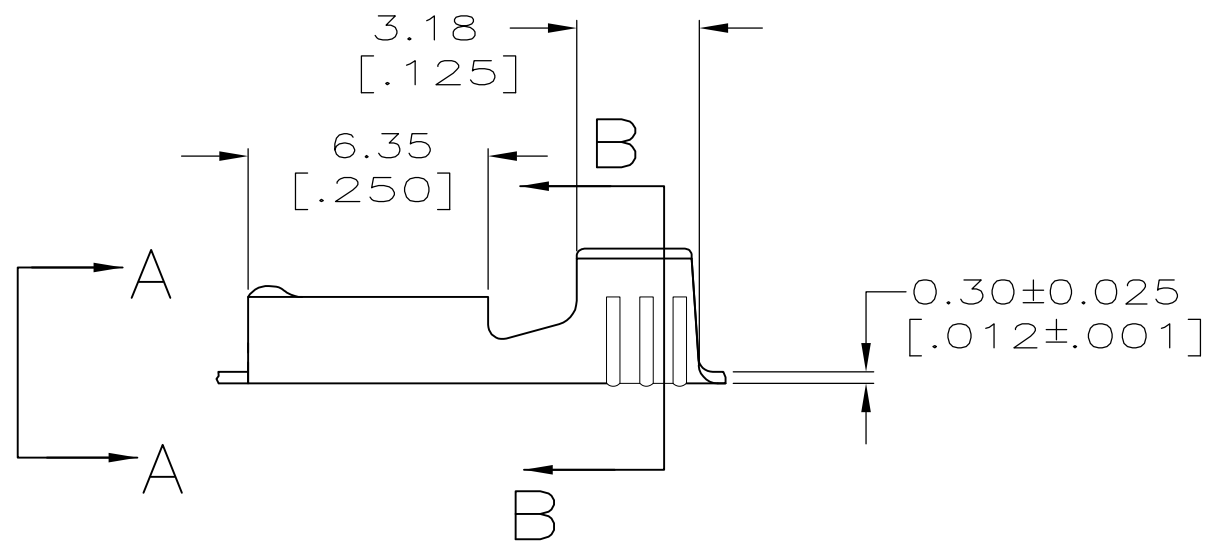
THIS DRAWING IS UNPUBLISHED. RELEASED FOR PUBLICATION  
 © COPYRIGHT - By - ALL RIGHTS RESERVED.

LOC	DIST	REVISIONS					
AF	50	P	LTR	DESCRIPTION	DATE	DWN	APVD
		D		REVISED PER ECR-12-013459	28NOV2012	KH	PD



VIEW A-A  
SCALE 10:1

- 1 CONTINUOUS STRIP ON REELS
- 2 TIN
- 3 MATING TAB THK TO BE 0.81±0.025 [.032±.001].
- 4 WIRE SIZE IS [#20-#16] AWG.



SECTION B-B  
SCALE 10:1

61969-1  
PART NUMBER

THIS DRAWING IS A CONTROLLED DOCUMENT.		DWN	JR RUTH	1/24/97	<b>TE Connectivity</b> NAME RECEPTACLE, FASTON,™ 4.75 [.187] SERIES			RESTRICTED TO			
DIMENSIONS: mm [INCHES]		CHK	P FORTNEY	1/24/97				SIZE		CAGE CODE	DRAWING NO
TOLERANCES UNLESS OTHERWISE SPECIFIED:		APVD	P DESANTIS	1/24/97				A3		00779	C-61969
0 PLC ± - 1 PLC ± - 2 PLC ± 0.38 [.015] 3 PLC ± - 4 PLC ± - ANGLES ± -		PRODUCT SPEC	-					SCALE		5:1	SHEET
MATERIAL		FINISH		WEIGHT		CUSTOMER DRAWING		REV			
BRASS		2		-		1 OF 1		D			